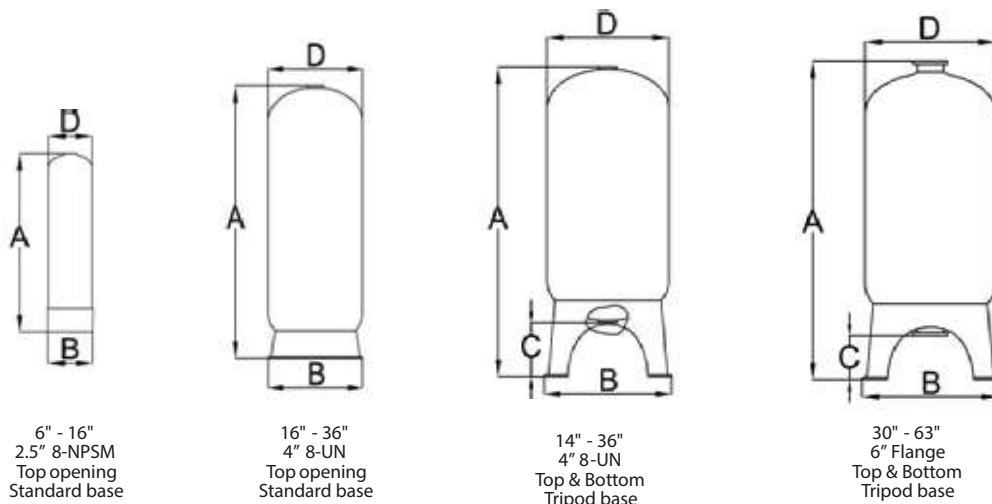


ESPECIFICACIONES

Tamaño (pulgadas)	Boca del Tanque		Capacidad		Base	Dimensiones (mm)			
	Top	BTM	Litros	Galones		A	B (O)	C	D (O)
9" x 48"	2.5" 8-NPSM	/	44.4	11.7	STD	1225	240	/	232
10" x 54"	2.5" 8-NPSM	/	63.3	16.7	STD	1385	269	/	260
12" x 52"	2.5" 8-NPSM	/	97	25.7	STD	1330	318	/	310
13" x 54"	2.5" 8-NPSM	/	105.3	27.9	STD	1380	343	/	336
14" x 65"	2.5" 8-NPSM	/	148.5	39.3	STD	1655	369	/	362
16" x 65"	2.5" 8-NPSM	/	192.1	50.8	STD	1650	422	/	412
18" x 65"	4" 8-UN	/	268	70.9	STD	1670	451	/	461
21" x 62"	4" 8-UN	/	341	90.2	STD	1620	532	/	543
24" x 72"	4" 8-UN	/	490	129.6	STD	1900	616	/	615
30" x 72"	6" FLG	6" FLG	735	194.4	TRIPOD	2260	/	270	765
36" x 72"	6" FLG	6" FLG	1031	272.8	TRIPOD	2280	/	295	920
42" x 72"	6" FLG	6" FLG	1461	386.5	TRIPOD	2300	/	303	1067
48" x 72"	6" FLG	6" FLG	1890	499.3	TRIPOD	2250	/	300	1215

NOTE.

1. All vessels are completed with food grade PE liner. (complied to FDA regulation 21 CFR 177.1520 and safe for drinking water.
2. All dimensions are for reference only and subjected to change without notice.



TRUWATER®